



## THE VIK SERIES

Triangle's "VIK" Series Belt Drive Heavy Duty Industrial Exhaust Fans are designed to meet the exhaust airflow needs of factories, warehouses, gymnasiums, greenhouses, etc. "VIK" Series Belt Drive Heavy Duty Industrial Exhaust Fans come standard with installed IWS shutters and VIG guards. The "VIK" Series Belt Drive Heavy Duty Industrial Exhaust Fans come with a polyester powder coated venturi to improve airflow and protect against corrosion as well as a heavy gauge galvanized housing for corrosion resistance. VIK" models up to 1 1/2 HP with ODP and TEFC motors come equipped with Triangle's exclusive "X-Wing" Belt Tensioner which reduces maintenance and extends belt and motor life.

### Options

- Two-speed, single-phase motors up to 1/2HP, 115v only

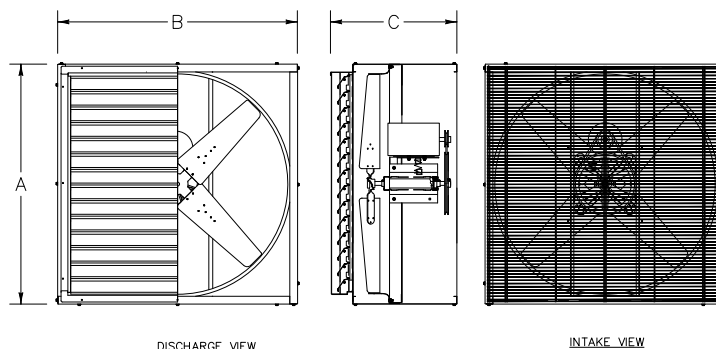
### Features

- Bronze powder coated rolled inlet venturi for efficient airflow
- Rugged heavy gauge galvanized housing
- Available in sizes from 24" to 60" blade diameter
- Available with ODP and TE motors
- Belt drive



Diameter	HP	CFM 0.0 SP	0.125 SP	0.25 SP	0.5 SP	Approximate Weight (lbs)	1 - Phase		3 - Phase	
							Open Drip Proof Motor 115V/230V	Totally Enclosed Motor 115/230V	Open Drip Proof Motor 230/460V	Totally Enclosed Motor 230/460V
24"	1/3	4,190	3,250	1,950	----	160	VIK2412-V (115V)	----	VIK2412-X	----
	1/2	5,000	4,250	3,430	----	170	VIK2413-V (115V) VIK2413-W (230V)	VIK2413T-U	VIK2413-X	VIK2413T-X
30"	1/3	7,080	6,050	4,940	----	181	VIK3012-V (115V)	----	----	----
	1/2	9,180	7,880	6,430	----	181	VIK3013-V (115V) VIK3013-W (230V)	VIK3013T-U	VIK3013-X	----
	3/4	9,840	8,650	7,190	----	185	VIK3014-U	VIK3014T-U	VIK3014-X	VIK3014T-X
36"	1/2	10,800	8,840	6,550	----	200	VIK3613-V (115V) VIK3613-W (230V)	----	VIK3613-X	----
	3/4	11,100	7,850	4,380	----	205	VIK3614-U	VIK3614T-U	VIK3614-X	VIK3614T-X
	1	12,100	9,030	5,970	----	215	VIK3615-U	VIK3615T-U	VIK3615-X	----
	1 1/2	13,110	9,820	6,450	----	230	VIK3616-U	----	VIK3616-X	----
	2	12,780	11,790	10,800	8,250	270	VIK3617-U	----	VIK3617-X	----
	3	15,400	14,200	13,000	9,970	327	----	----	VIK3618-X	----
42"	1/2	13,000	9,730	4,270	----	230	VIK4213-V (115V)	----	VIK4213-X	----
	3/4	14,600	12,000	6,780	----	235	VIK4214-U	VIK4214T-U	VIK4214-X	VIK4214T-X
	1	16,000	11,600	6,040	----	250	VIK4215-U	VIK4215T-U	VIK4215-X	----
	1 1/2	17,200	14,700	10,800	----	265	VIK4216-U	----	VIK4216-X	VIK4216T-X
	2	16,800	15,100	13,200	----	290	----	----	VIK4217-X	VIK4217T-X
48"	3/4	19,100	14,300	6,160	----	280	VIK4814-U	VIK4814T-U	VIK4814-X	VIK4814T-X
	1	20,600	16,000	7,770	----	285	VIK4815-U	VIK4815T-U	VIK4815-X	----
	1 1/2	21,500	16,400	10,400	----	300	VIK4816-U	----	VIK4816-X	VIK4816T-X
	2	21,100	19,000	16,500	----	325	VIK4817-U	----	VIK4817-X	VIK4817T-X
	3	23,700	21,500	19,300	----	410	VIK4818-U	----	VIK4818-X	VIK4818T-X
	5	28,800	26,800	24,500	18,400	425	VIK4819-W (230V)	----	VIK4819-X	VIK4819T-X
54"	2	25,500	22,300	19,900	----	460	VIK5417-U	----	VIK5417-X	VIK5417T-X
	3	29,800	27,100	24,600	----	470	VIK5418-U	----	VIK5418-X	VIK5418T-X
	5	37,300	35,000	32,600	26,500	490	VIK5419-W (230V)	----	VIK5419-X	VIK5419T-X
60"	2	30,800	27,800	23,900	----	555	VIK6017-U	----	VIK6017-X	VIK6017T-X
	3	34,700	31,700	28,700	20,800	565	VIK6018-U	----	VIK6018-X	VIK6018T-X
	5	43,500	40,600	37,200	30,500	575	VIK6019-W (230V)	----	VIK6019-X	VIK6019T-X

Dimensions "VIK" Series				
Diameter	HP	A	B	C
24"	ALL	30 3/4"	30 3/4"	24"
30"	ALL	34 3/4"	34 3/4"	24"
36"	UP TO 1.5 HP	40 3/4"	40 3/4"	24"
36"	2 HP AND UP	40 3/4"	40 3/4"	34"
42"	UP TO 1.5 HP	46 3/4"	46 3/4"	24"
42"	2 HP AND UP	46 3/4"	46 3/4"	34"
48"	UP TO 1.5 HP	52 3/4"	52 3/4"	24"
48"	2 HP AND UP	52 3/4"	52 3/4"	34"
54"	ALL	62 7/8"	62 7/8"	34"
60"	ALL	68 7/8"	68 7/8"	34"



Performance shown is for installation type A: free inlet and free outlet and does not include the effects of accessories.  
All units are made to order and are not returnable.

## SUPPLY AND EXHAUST FANS & SHUTTERS: THE VIK SERIES

FactoryFansDirect.com ► EdmondsUSA.com

Call 1-888-849-1233 for FREE expert advice, factory direct pricing & volume discounts.