

Weather Hood

Galvanized Weather Hoods from J&D Manufacturing help extend the life of your shutter or fan by protecting your investment against harsh weather and severe wind. Weather Hoods are a perfect fit for J&D's ES Shutter Fans, Twister Fans and Shutters, and will also complement fans and shutters from other manufacturers. Weather Hoods are shipped unassembled with easy step-by-step instructions to save you money on shipping costs.

Features

- Protects your fans and shutters against snow, ice, rain and wind
- Multiple sizes to fit almost any shutter or fan
- G90 galvanized steel construction
- Unassembled to save you money on shipping
- Includes assembly hardware and instructions

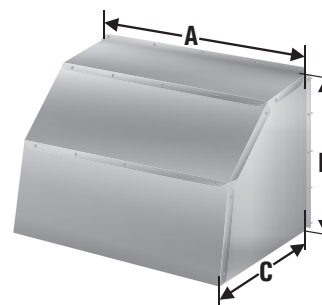


**Protect
your fan
or shutter**



Part #	Description	A-width	B-height	C-depth
VFT140855	Weather Hood, for 10" & 12" Size Fans	13 ³ / ₄ "	13 ⁷ / ₈ "	11 ¹ / ₂ "
VFT140856	Weather Hood, for 16" Size Fans	18 ⁷ / ₈ "	20"	15 ¹ / ₂ "
VFT140857	Weather Hood, for 20" Size Fans	22 ³ / ₄ "	22 ¹ / ₂ "	19 ⁷ / ₈ "
VFT140858	Weather Hood, for 24" Size Fans	26 ⁷ / ₈ "	25 ⁷ / ₈ "	24"
VFT140859	Weather Hood, for 30" Size Fans	33"	25 ³ / ₄ "	23 ⁷ / ₈ "
VFT140860	Weather Hood, for 36" Size Fans	41 ³ / ₄ "	25 ³ / ₄ "	24 ¹ / ₄ "
VFT140861	Weather Hood, for 48" & 50" Size Fans	55 ³ / ₄ "	25 ³ / ₄ "	23 ³ / ₄ "
VFT140862	Weather Hood, for 54" Size Fans	55 ¹ / ₂ "	25 ³ / ₄ "	24"

All VFT140 series of weather hoods have 1" mounting flanges



⚠ WARNING: This product can expose you to chemicals including lead, which is known to the State of California to cause cancer and birth defects or other reproductive harm. For more information go to www.P65Warnings.ca.gov/product.

Due to our continual effort to provide the best products available and adhere to market conditions; literature, products, prices and availability are subject to change without notice.