

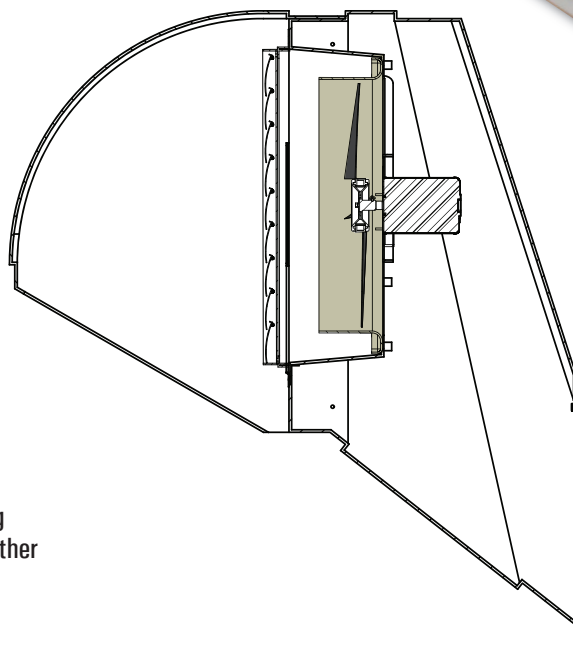
# Pruden 24" Poly Pit Plenum Fan

The 24" Poly Pit Plenum Fan features a design that incorporates the center fan body into the plenum. By eliminating the center fan body we have created a system that protrudes less from the side of your building. The Offset Poly Pit Plenum is perfect for your curtain wall application, and includes a poly shutter, poly prop, and cast aluminum hub. The stainless steel J-channel on the rear of the plenum makes installation faster and easier.



## Features

- Heavy duty one-piece seamless plenum body for strength and durability
- Stainless steel J-channel on rear of plenum for fast and easy installation
- Removable poly hood and poly shutter
- Fan features recessed fiberglass venturi and 4-blade poly propeller with cast aluminum hub
- Stainless steel slanted H-frame motor mount and stainless steel hardware for ultimate corrosion resistance
- Fan is pre-wired with 6' cord for 230V
- Plenum and hood are manufactured using a proprietary process resulting in a smoother easier to clean surface



Part#	Description	HP	Volts	Amps <sup>NP</sup>	Hz	Ph	Sp	@0.05" SP		@0.15" SP		Drive	Prop
								CFM	Watt	CFM	Watt		
<b>Single Phase</b>													
PFPSP24	24" Poly Offset Pit Plenum Fan, Shutter & Hood	1/2	115/230~	3.8/1.9	60	1	1/Var^	5,350	14.0	4,750	12.0	Direct	4-Ply
<b>Replacement Parts</b>													
PFPB24P	24" Poly Offset Pit Plenum Body												
PFPH24P	24" Poly Weather Hood												
VRS30P-C	30" Poly Shutter, Double Panel												
~ These units come pre-wired for 230 Volts (electrician may rewire for 115 Volts)										<b>Framed Opening: 36"W x 21"H</b>			
^ Variable speed fans require separate variable speed control to adjust fan speed.													

**⚠ WARNING:** This product can expose you to chemicals including chromium, which is known to the State of California to cause cancer and birth defects or other reproductive harm. For more information go to [www.P65Warnings.ca.gov/product](http://www.P65Warnings.ca.gov/product).

Due to our continual effort to provide the best products available and adhere to market conditions; literature, products, prices and availability are subject to change without notice.